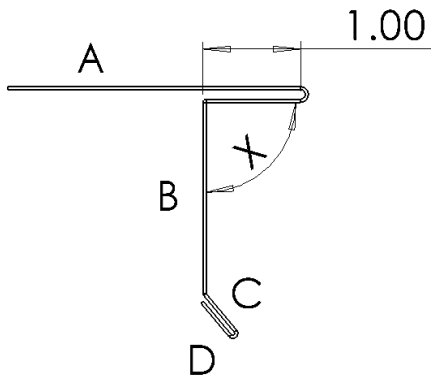


LOCKING DRIP EDGE


Specs:

- Available in the following materials:
 - Aluminum: 032 - 040 - 050
 - Steel: 26ga - 24ga
 - Stainless steel: 26ga – 24ga
 - Copper: 16 oz – 20 oz
- Different thicknesses or material upon request.
- Dimensions and slope (if needed) to be provided from customer.



A	B	C	D	X

Color	LF

	Cinnamon Metals 7809 Loisdale Road Springfield, VA 22150 703-206-8718	Locking Drip edge	Date: 5/2/2024
		info@cinnamonmetals.com	Drawn by: JH Approved by: CC