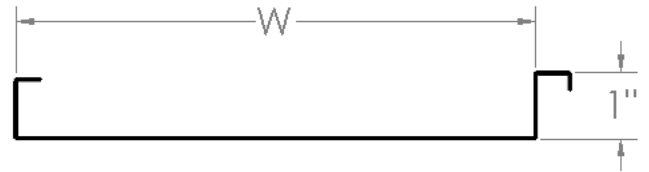
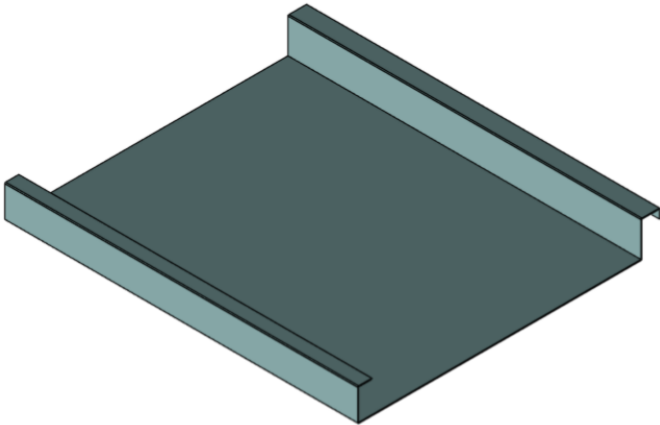


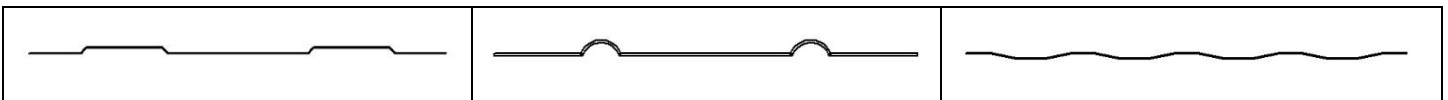
**CM – MLP 100**



|                   |                  |                 |
|-------------------|------------------|-----------------|
| <b>DIMENSIONS</b> | <b>WIDTH (W)</b> | 13" – 17" – 21" |
|                   | <b>HIGH</b>      | 1"              |

|                 |                 |                 |
|-----------------|-----------------|-----------------|
| <b>MATERIAL</b> | <b>ALUMINUM</b> | 0.032" – 0.040" |
|                 | <b>STEEL</b>    | 26 GA – 24 GA   |
|                 | <b>COPPER</b>   | 16 OZ – 20 OZ   |

**RIBS FOR PANELS (OPTIONAL)**



*Manufacturing Metal solutions with high-quality levels. If you need any advice on your project, please contact us, and we will help you to find the best solution.*

- Green roofing, Landscaping and LEED projects
- Roofing, Masonry and Waterproofing
- Vents and Louvers
- Custom sheet metal parts