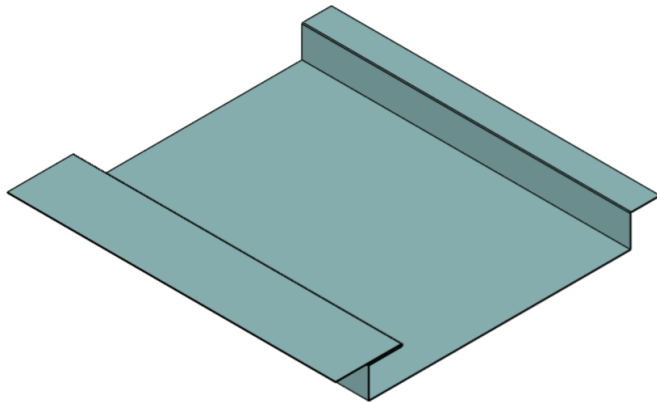


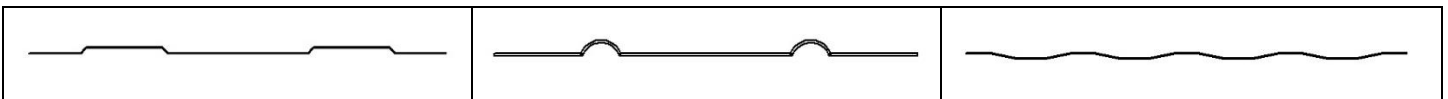
CM – FSP 100



DIMENSIONS	WIDTH (W)	12"
	HIGH	1"

MATERIAL	ALUMINUM	0.032" – 0.040"
	STEEL	26 GA – 24 GA
	COPPER	16 OZ – 20 OZ

RIBS FOR PANELS (OPTIONAL)



Manufacturing Metal solutions with high-quality levels. If you need any advice on your project, please contact us, and we will help you to find the best solution.

- Green roofing, Landscaping and LEED projects
- Roofing, Masonry and Waterproofing
- Vents and Louvers
- Custom sheet metal parts